

## SWT41L-C-TA4

### Specifications



The SABINE SWT41L-C-TA4 is a small Lavalier mic with a big full sound. This Unidirectional microphone uses a special European-made capsule and gives the user a lot of gain before feedback. Featuring a cardioid pick-up pattern and electret condenser with low mass diaphragm element, the SWT41L-C-TA4 blends natural sound with professional accuracy while maintaining low sensitivity to popping and breath overloads at close-up situations. It's compact, miniature, high-performing design can be attached discreetly to a tie, or the clothing of the person using it allowing for a hands free operation. It is either battery or phantom powered and is compatible with most power modules and wireless transmitters. Available in TA4 connector with a high tensile, low contact noise cable the Sabine SWT41L-C-TA4 is recommended for Sabine wireless body packs.

### Element

Back Electret Condenser

### Polar Pattern

Unidirectional

### Frequency Range

100Hz - 12,000 Hz

### Sensitivity

(@ 1kHz): -64dB ± 3dB (0 dB = 1V / μbar, 1KHz )

### Impedance

1,600 Ω ± 30% (@ 1KHz)

### Operating Voltage

1.5V ~ 10V DC Battery

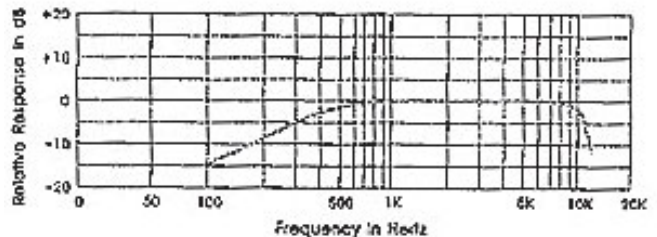
### Dimension

07.3 x 19.4 mm

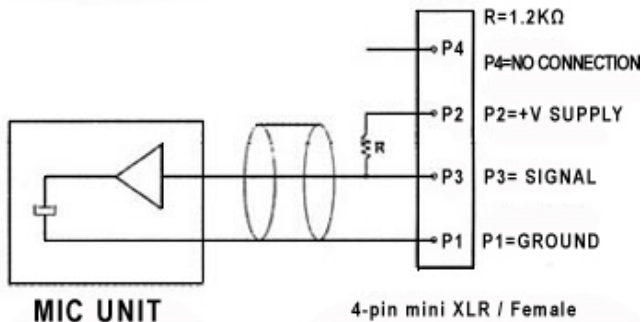
### Accessories Included

Tie Clip, Windscreen

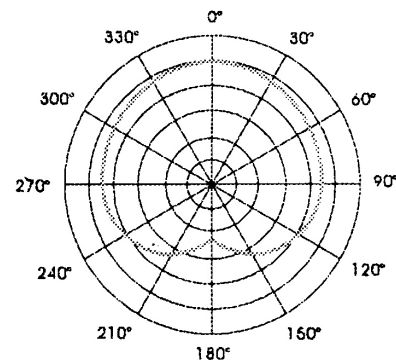
### Frequency Response Graph:



### Circuit Diagram:



### Polar Pattern:



(SPECIFICATIONS SUBJECT TO CHANGE WITHOUT NOTICE)