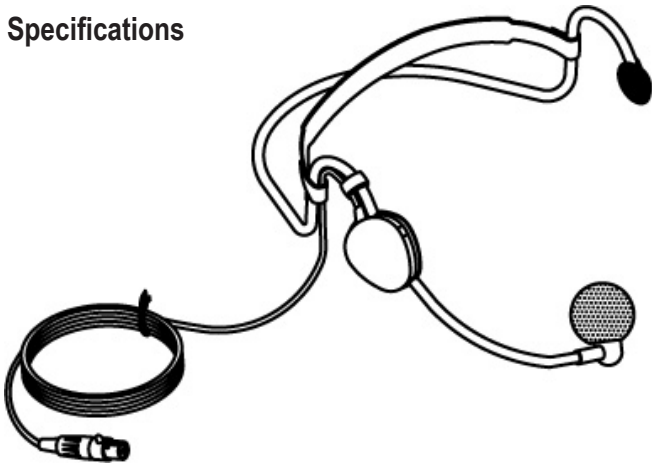


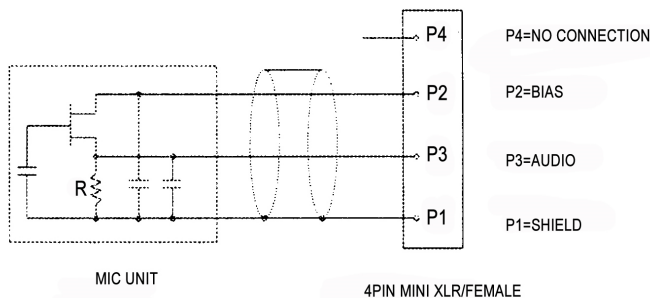
SWT74W-C-TA4

Specifications

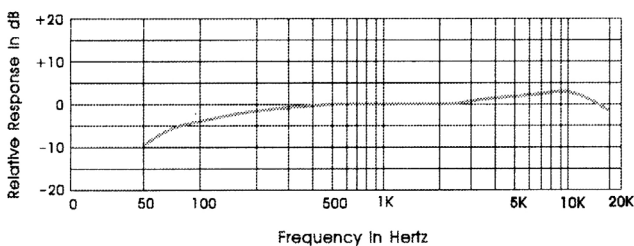


The SABINE SWT74W-C-TA4 Headset Microphone is designed for singing and dancing entertainers, performing musicians, dj's, magicians, aerobics instructors, lecturers, sportscasters, auctioneers and for others who require high quality vocal pick up in a hands free application. It features easy wear-on style for comfortability during long periods of use. The SWT74W-C-TA4 has an electret condenser, Flexible gooseneck Boom for close talk and easy mic positioning and is terminated with a 4 pin mini XLR connector that allows quick connection to a compatible power module or a body pack wireless transmitter.

CIRCUIT DIAGRAM:



Frequency Response Graph:



Element

Back Electret Condenser

Polar Pattern

Unidirectional

Frequency Response

60Hz - 16,000 Hz

Sensitivity

(@ 1kHz): -65dB±3dB (0 dB = 1V / μbar, 1KHz)

Max. Input S.P.L.

130 dB

Impedance

< 1,000Ω

Operating Voltage

1.5V ~ 10V DC

Weight

8 grams without cable/connector

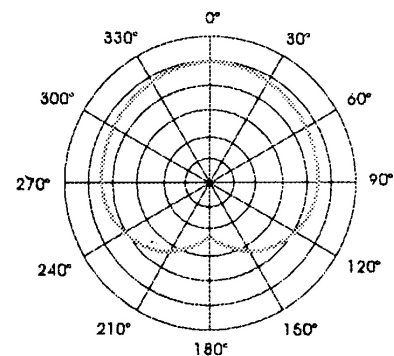
Dimension

Ø5.2 (mic head)

Accessories

Windscreen

Polar Pattern:



(SPECIFICATIONS SUBJECT TO CHANGE WITHOUT NOTICE)